

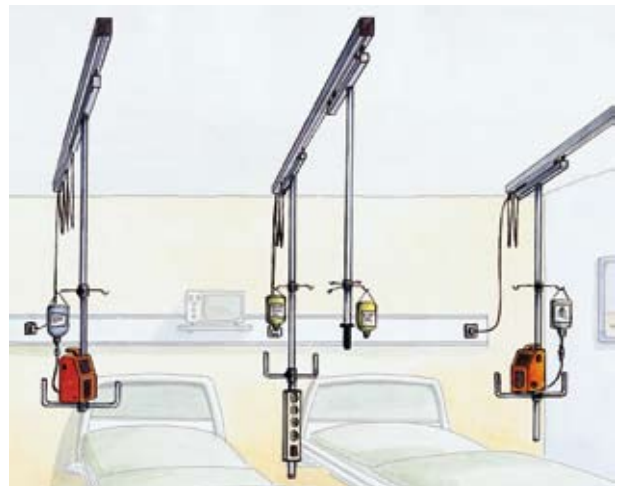
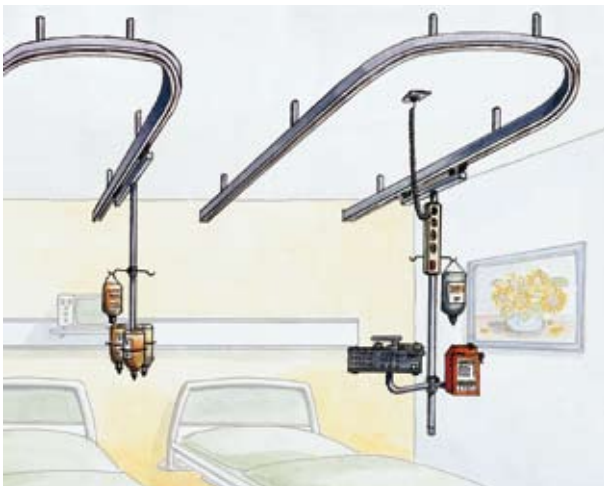
There are so many different types of hospitals and home care rooms, that provita's **Ceiling Rail Systems** have been designed to always provide enough room needed around the care of patients.

All Good come from above





Page	Content
4	ICS 1 Ceiling Rail System
6	ICS 1 Spacers
7	ICS 1 IV-Poles
8	ICS 1 Accessories
9	ICS 2 Ceiling Rail System
11	ICS 2 Spacers
12	ICS 2 IV-Poles
19	ICS 2 Accessories
22	ICS 3 Ceiling Carrier System
23	ICS 3 Accessories



Quality in every aspect

Innovation means to us challenges that we gladly face. And therefore, provita has been standing out now for more than 50 years for medical - technical products as „Made in Germany“. Our outstanding reputation is not only due to the quality of our products but also and just as much to our contact with customers and business partners.

We see ourselves as a partner of industry and trade in the health service. We are competent and approachable, and that in the truest sense of the word: hand to hand with German and English, as well as Spanish, Russian, Polish and French which are fluently spoken in our office.

For provita the personal, confident and friendly contact with the customers is not a theoretical overall concept but instead an everyday life-model.



for further information, visit www.provita.de

All good come from above

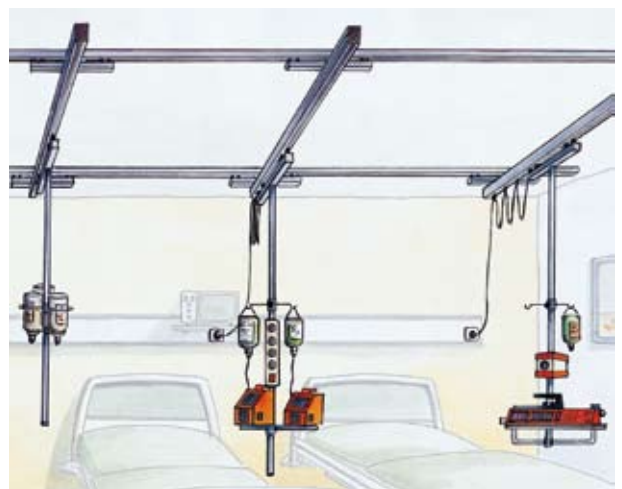
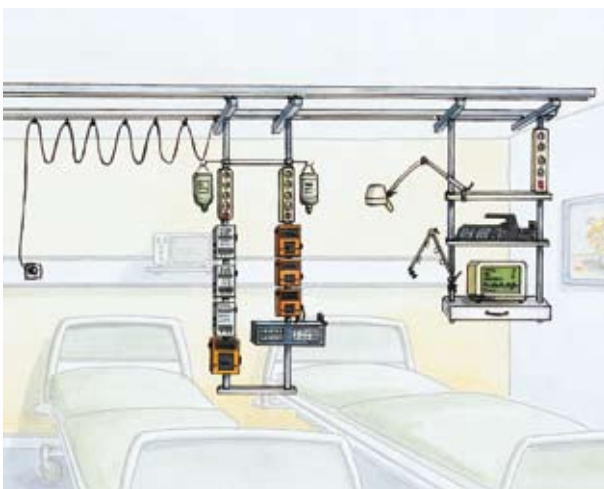
As a complete offerer, the ceiling rail system ICS 1 and ICS 2 as well as the ceiling system ICS 3, provita has accredited itself worldwide with hundreds of references. The fields of applications are very multifaceted: normal care, intensive care, pre and post operation care, physician practice and that, just to name only a few. What it connects: they guarantee the necessary freedom of movement of the nursery staff even in small rooms. The optimal accomodation of the patients is ensured.

Through the combination of different shapes, the systems optimally can be adapted to every room according to every customer's desire. The rails are suited for all ceilings and conditions. They can be certainly secured to very stable and special spacers for suspended ceilings. Telescopic or fixed ceiling IV-Poles made out of high value stainless steel are available in different types. Through polished surface tubes,

the ceiling IV-Poles are very easy to clean and therefore very hygienic. The ceiling IV-Poles with safety height adjustment by thumb-pressure permit the certain and simple operation with only one hand and prevent a dangerous and sudden sinking. Ball-bearing and an adjustable permanent brake enable a fast and simple positioning.

The rails of the ICS 2 system are able to efficiently work with an extreme high pressure of 80 kg per every 100 cm of rail.

The three arms of the ICS 3 Carrier System permit a flexible, space-saving use. The internal electrical design lets the room free of disturbing electrical cables. Based on its maximal load capacity of 40 kg, the system is suited also for attachment of medical devices.



ICS 1

Ceiling Rail (straight)

D 1AA 001 3

Standard length 1.000 mm

D 1AA 001 3 X

Special length by customer's request

Material aluminium, anodized

Profile size 25 x 25 x 2,25 mm

Length any length available by use of connectors (max. 4.000 mm per piece)

Load capacity 50 kg / 100 cm



Ceiling Rail (U-Form)

D 3FB 001 3

Standard size

D 3FB 001 3 X

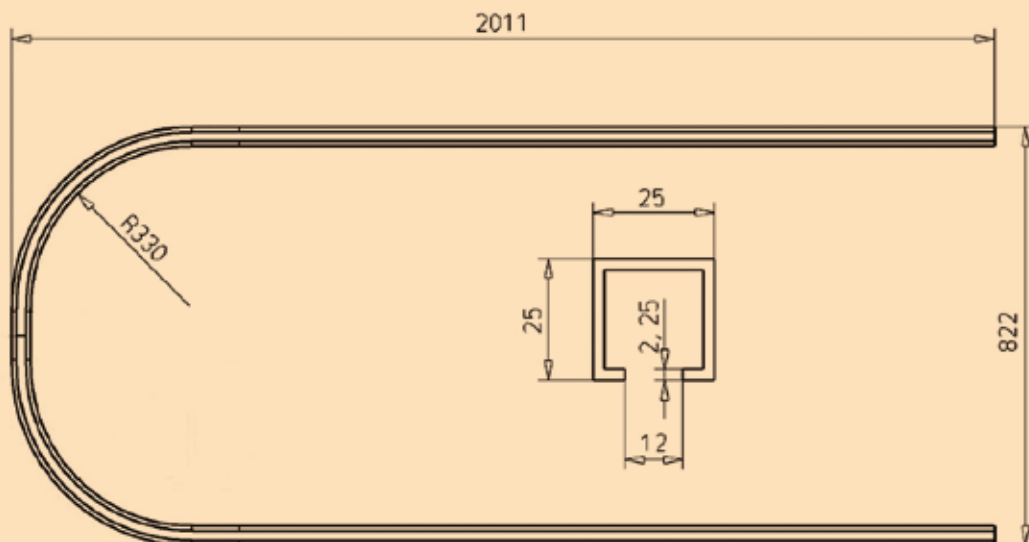
Special size by customer's request

Material aluminium, anodized

Profile size 25 x 25 x 2,25 mm

U-Size appr. 2.011 x 822 mm (other sizes available, please be aware of minimum width of 700 mm - given by radius)

· with 3 connectors- and 2 end pieces





Connector

Z 2N0 701 2

Material **stainless steel**

to connect two ceiling rails



D-cut

Z 2N0 708 2 (for safety reasons, please use an end piece at the front of D-cut)

useful to hang sliding hook once rails are already mounted and its ends are against the walls



End piece

Z 2N0 700 2

Material **aluminium**

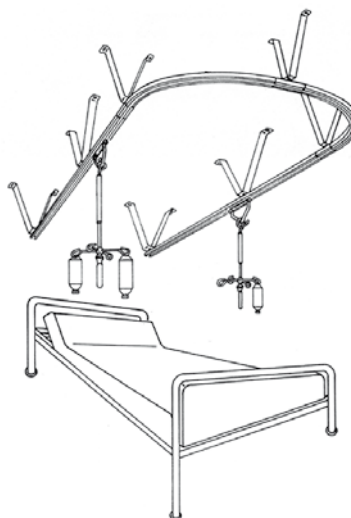
as end seal for the rail system

ICS 1

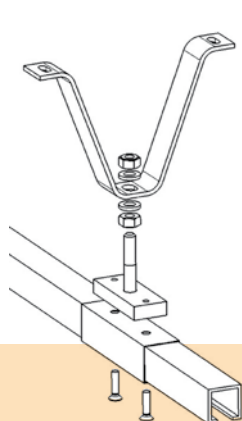
ICS 1 Spacers (for suspended ceiling)

Version C	for intermediate ceiling
Z 2S0 706 6	200 mm spacer
Z 2S0 707 6	250 mm spacer
Z 2S0 708 6	300 mm spacer
Z 2S0 709 6	350 mm spacer
Z 2S0 710 6	400 mm spacer
Z 2S0 711 6	450 mm spacer
Z 2S0 712 6	500 mm spacer

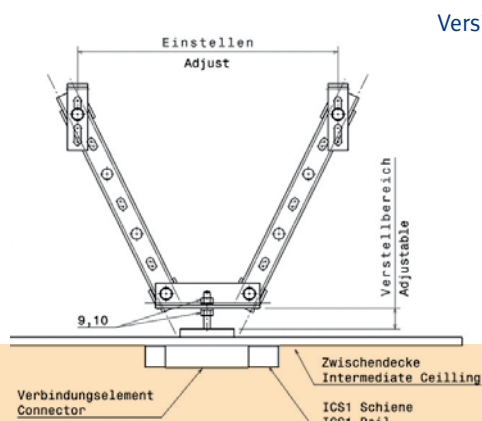
Version D	
Z 2S0 745 6	500 - 600 mm spacer
Z 2S0 746 6	600 - 700 mm spacer
Z 2S0 747 6	700 - 800 mm spacer
Z 2S0 748 6	800 - 900 mm spacer
Z 2S0 749 6	900 - 1.000 mm spacer
by request	> 1.000 mm



These four part U-shaped rail system must be fastened in seven different places. The order of the spacers should comply with the layout shown in the sketch - each of them 90° turned to the next one - so that a strong construction will be given in all directions. An essential requirement for security and optimal functionality of our rails is the proper and professional assembly of the spacers and rails.



Version C



Version D

Installation instructions

The rails are mounted to the connectors, though fastening at any other point is also possible. The pre-drilled holes in the connectors can be used as a drilling template for the rails. This guarantees an exact fit of the rails, spacers and raw ceiling. The spacers' slots can be used for both, even out irregularities during doweilling as well as in the building's ceiling. Maximum horizontal distance between 2 spacers: appr. 70 cm.

The spacer „Version C“ is suitable for an intermediate ceiling up to 50 cm. While „Version D“ can be used for intermediate ceiling higher than 50 cm.

The ceiling rails can be mounted directly to the ceiling or support structure, using the corresponding fastening materials. However, a spacer is needed for suspended ceilings. The spacers are made of galvanized steel and easy to install. They are anchored in the building's ceiling and bridge the gap between concrete and suspended ceiling, thus guaranteeing a sturdy substructure. Please specify the exact dimensions between the concrete and suspended ceiling with your inquiry or order.

ICS 1

7

Series I 100 1
I 102 1 with thread for pump holder

Ceiling IV-Pole

	Room height	Regul. range
I 100 125 2	2.500 mm	73 - 102 cm
I 102 125 2 ¹⁾	2.500 mm	73 - 102 cm
I 100 127 2	2.700 mm	83 - 122 cm
I 102 127 2 ¹⁾	2.700 mm	83 - 122 cm
I 100 129 2	2.900 mm	93 - 142 cm
I 102 129 2 ¹⁾	2.900 mm	93 - 142 cm
I 100 131 2	3.100 mm	103 - 162 cm
I 102 131 2 ¹⁾	3.100 mm	103 - 162 cm
I 100 133 2	3.300 mm	113 - 182 cm
I 102 133 2 ¹⁾	3.300 mm	113 - 182 cm
I 100 135 2	3.500 mm	123 - 202 cm
I 102 135 2 ¹⁾	3.500 mm	123 - 202 cm

¹⁾ with thread for pump holder

Material **stainless steel**

Tube diameter **18 / 14 mm**

Height adjustment **one hand adjustment**

Bottle holder **4 safety hooks**

Load capacity **2 kg / hook,**

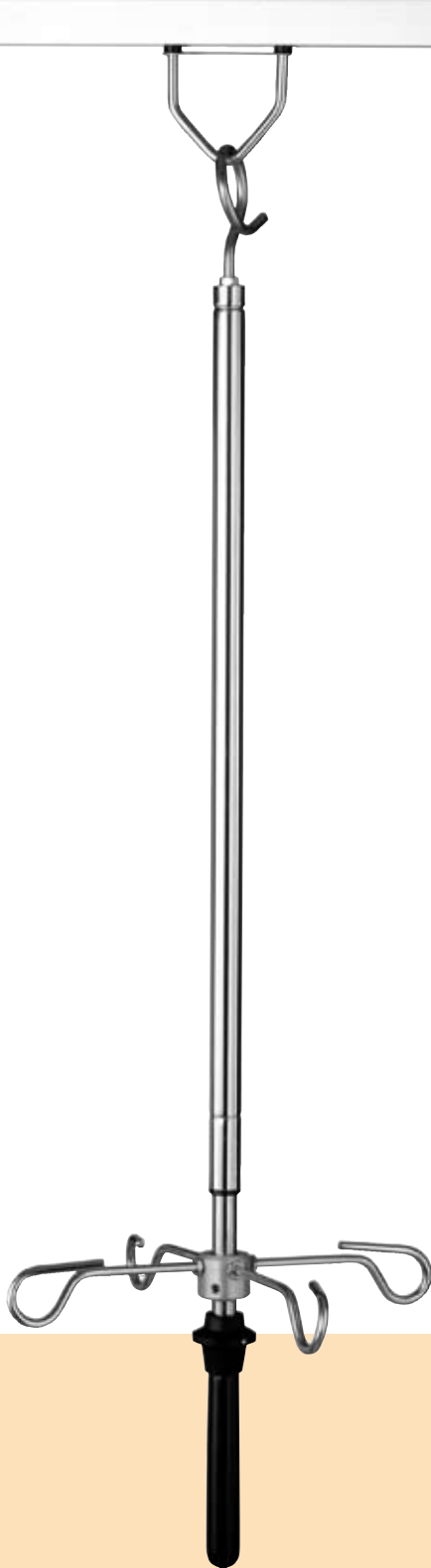
15 kg / sliding hook, 15 kg / IV-Pole

optimal hygienical surface through
high polished gloss stainless steel
material

easy hanging of the IV-Pole on the
sliding hook

IV-Pole does not include the sliding hook, never-
theless can be order as an accessory, see page 8

Regulating range



ICS 1 Accessories



Ceiling hook

Z 2N0 702 2

Material **stainless steel**

- in this case, rail will not be necessary
- to hang an IV-Pole on a fixed point



Sliding hook

Z 2N0 703 2

Material **stainless steel**

- to hang an IV-Pole on the ceiling rail
- only for ICS 1 ceiling rail



Infusion-Pump holder

Z 2N0 634 2

Material **stainless steel**

- for an infusion pump
- to screw on the lower part of IV-Pole Series I 102 1
- the center of gravity remains under the suspension through the use of this holder, permitting the IV-Pole to remain vertical



rails available also in white
 D 1AA 001 A - Stand. length 1.000 mm
 D 3FB 001 A - Stand. Size U-Form

due to flexible positioning and use of
 the IV-Poles - a professional treatment
 of your patients will be guaranteed

Ceiling rail (straight)

D 1AA 001 W Standard length 1.000 mm

D 1AA 001 WX Special length by customer's request

Material aluminium, anodized

Profile size 57,5 x 47,5 x 5 mm

Length any length available by use of connectors
 (max. 4.000 mm per piece)

Load capacity 80 kg / 100 cm

Ceiling Rail (U-Form)

D 3FB 001 W Standard size

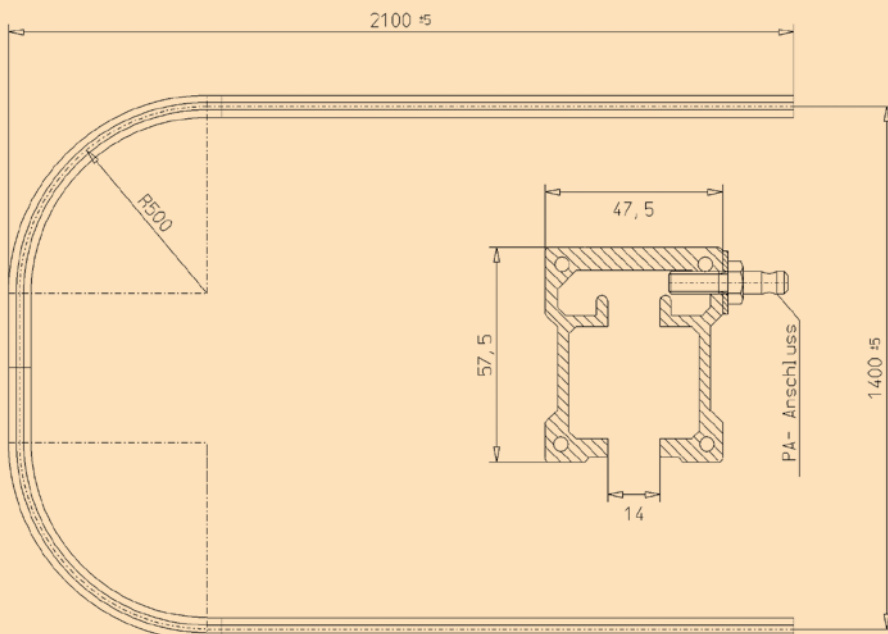
D 3FB 001 WX Special size by customer's request

Material aluminium, anodized

Profile size 57,5 x 47,5 x 5 mm

U-size 2.100 x 1.400 mm (other sizes available,
 please be aware of minimum width of 1.200 mm -
 given by radius)

- with 3 connectors and 2 end pieces
- incl. grounding pins at the end of the rail



ICS 2

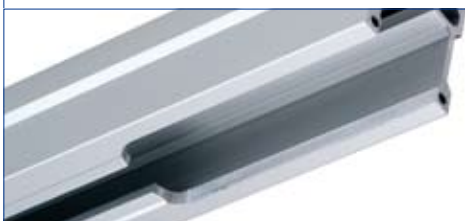


Connector

Z 2N0 706 2

Material **aluminium**

- to connect two ceiling rails
- premounted
- the rail's pins guarantee a precise and smooth connection



D-cut

Z 2N0 710 2

- to mount the carrier of an IV-Pole once rail is already mounted and its ends are against the wall
- for safety reasons, we recommend to use an end piece in front of the D-cut



End piece

Z 2N0 711 2

Material **aluminium**

- as a seal for the rail
- prevents IV-Pole from falling out

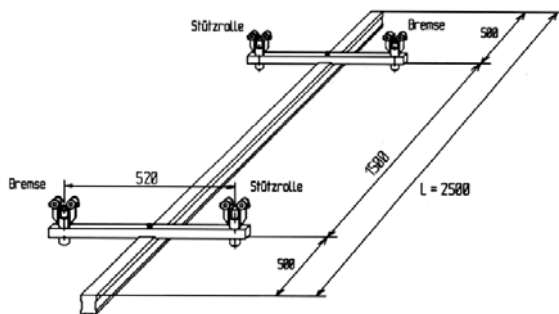


End cap

Z 2N0 712 2

Material **plastic**

- rail end cover plate
- with 4 screws



Support rail

D 400 000 2

- for parallel ceiling system with 16 nylon ball-bearings
- distance between the 2 parallel rails = 1.500 mm

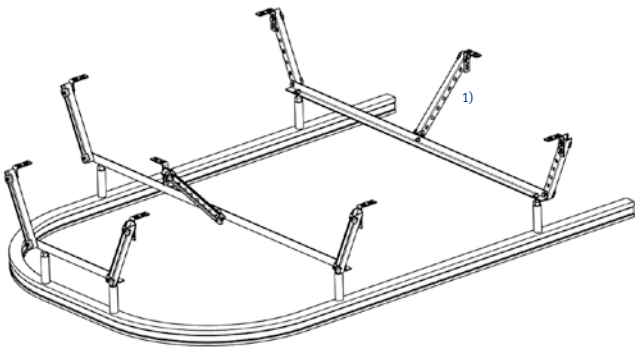
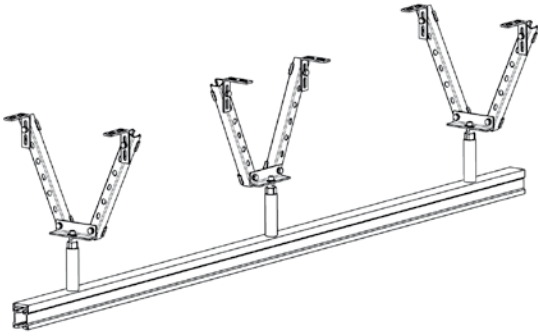
Spacers for straight rails

Version A	for intermediate	
Z 2S0 727 6	200 - 300 mm	simple
Z 2S0 728 6	300 - 400 mm	simple
Z 2S0 732 6	400 - 500 mm	simple
Z 2S0 729 6	500 - 600 mm	simple
Z 2S0 733 6	600 - 700 mm	simple
Z 2S0 730 6	700 - 800 mm	simple
Z 2S0 731 6	800 - 900 mm	simple
Z 2S0 734 6	900 - 1.000 mm	simple
by request	> 1000 mm	

Spacers for the U-Form

Version E	for intermediate	
Z 2S0 751 6	200 - 300 mm	double
Z 2S0 779 6	200 - 300 mm	double ¹⁾
Z 2S0 752 6	300 - 400 mm	double
Z 2S0 780 6	300 - 400 mm	double ¹⁾
Z 2S0 753 6	400 - 500 mm	double
Z 2S0 781 6	400 - 500 mm	double ¹⁾
Z 2S0 754 6	500 - 600 mm	double
Z 2S0 782 6	500 - 600 mm	double ¹⁾
Z 2S0 755 6	600 - 700 mm	double
Z 2S0 783 6	600 - 700 mm	double ¹⁾
Z 2S0 756 6	700 - 800 mm	double
Z 2S0 784 6	700 - 800 mm	double ¹⁾
Z 2S0 757 6	800 - 900 mm	double
Z 2S0 785 6	800 - 900 mm	double ¹⁾
Z 2S0 758 6	900 - 1.000 mm	double
Z 2S0 786 6	900 - 1.000 mm	double ¹⁾

¹⁾ long Version



The spacers of the ICS 2 consists of galvanized steel perforated sections in a V-shaped order. Its parts are screw together. Irregularities in the building and suspended ceilings can be compensated with slots. Each of the spacers should be turned 90° to the next one, so that a strong construction will be given in all directions. The load bearing capacity of each mounting point should be at least 80 kg. The maximum distance between two spacers should not be more than 80 mm.

Assembly possibilities



ICS 2

Series I 100 1
I 102 1 with thread for pump holder

Ceiling IV-Pole

	Room height	Regul. range
I 100 125 2	2.500 mm	73 - 102 cm
I 102 125 2 ¹⁾	2.500 mm	73 - 102 cm
I 100 127 2	2.700 mm	83 - 122 cm
I 102 127 2 ¹⁾	2.700 mm	83 - 122 cm
I 100 129 2	2.900 mm	93 - 142 cm
I 102 129 2 ¹⁾	2.900 mm	93 - 142 cm
I 100 131 2	3.100 mm	103 - 162 cm
I 102 131 2 ¹⁾	3.100 mm	103 - 162 cm
I 100 133 2	3.300 mm	113 - 182 cm
I 102 133 2 ¹⁾	3.300 mm	113 - 182 cm
I 100 135 2	3.500 mm	123 - 202 cm
I 102 135 2 ¹⁾	3.500 mm	123 - 202 cm

¹⁾ with thread for pump holder

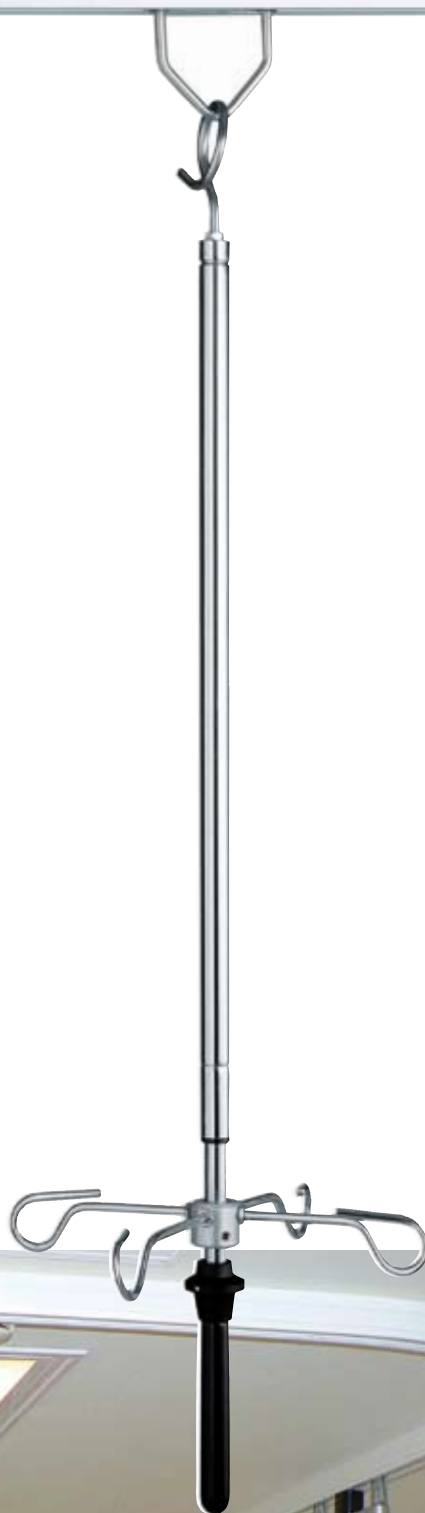
Material **stainless steel**
 Tube diameter **18 / 14 mm**
 Height adjustment **one hand adjustment**
 Bottle holder **4 safety hooks**
 Load capacity **2 kg / hook,**
15 kg / sliding hook, 15 kg / IV-Pole

stepless safety height adjustment
through use of one hand adjustment

easy hanging of the IV-Pole on the
sliding hook

IV-Pole does not include the sliding hook, nevertheless can be order as an accessory, see page 19

Regulating range



for further reference pictures, please
visit our website www.provita.de

ICS 2

Series I 100 2

I 102 2 with thread for pump holder

Ceiling IV-Pole

	Room height	Regul. range
I 100 225 2	2.500 mm	73 - 102 cm
I 102 225 2 ¹⁾	2.500 mm	73 - 102 cm
I 100 227 2	2.700 mm	83 - 122 cm
I 102 227 2 ¹⁾	2.700 mm	83 - 122 cm

¹⁾ with thread for pump holder

Material **stainless steel / aluminium**

Tube diameter **18 / 14 mm**

Bearing **4 low-noise bearings**

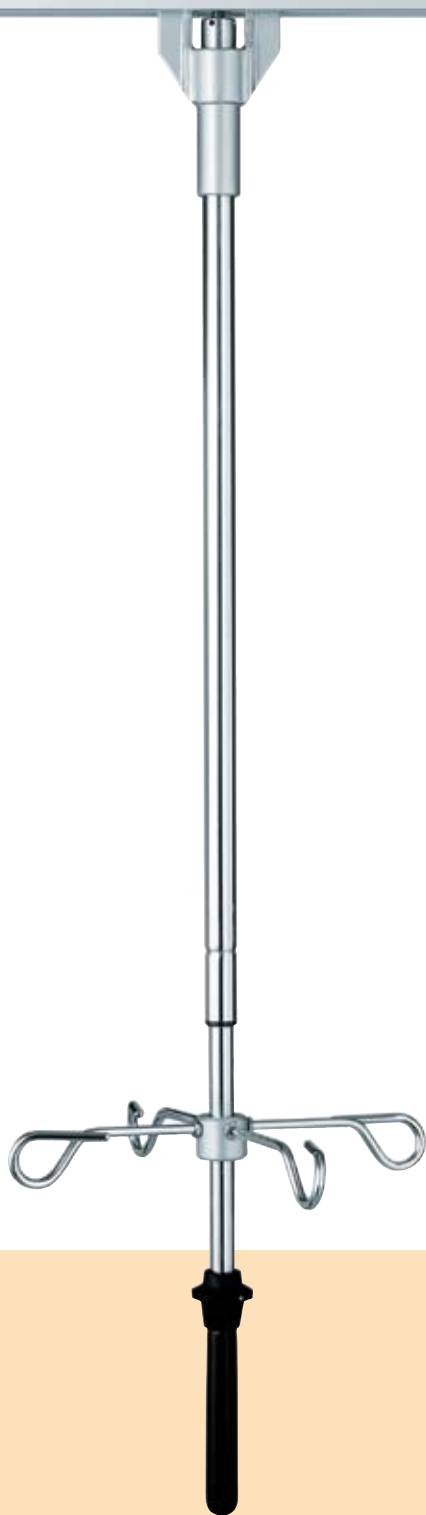
Height adjustment **one hand adjustment**

Bottle holder **4 safety hooks**

Load capacity **2 kg / hook, 15 kg / IV-Pole**

· carrier with automatic lock mechanism and sliding brake

Regulating range



suitable for the support of infusion bottles and maximum one infusion pump

horizontal position of IV-Pole once brake is correctly set up under tension

suitable for room height up to 2,7 m
for higher rooms, please use the Series I 103, see page 14, or please contact provita

ICS 2

Series I 103

Ceiling IV-Pole

	Room height	Regul. range
I 103 225 2	2.500 mm	80 – 107 cm
I 103 227 2	2.700 mm	90 – 127 cm
I 103 229 2	2.900 mm	100 – 147 cm
I 103 231 2	3.100 mm	110 – 167 cm
I 103 233 2	3.300 mm	120 – 187 cm
I 103 235 2	3.500 mm	130 – 207 cm

Material **stainless steel / aluminium**

Tube diameter **18 / 14 mm**

Height adjustment **one hand adjustment**

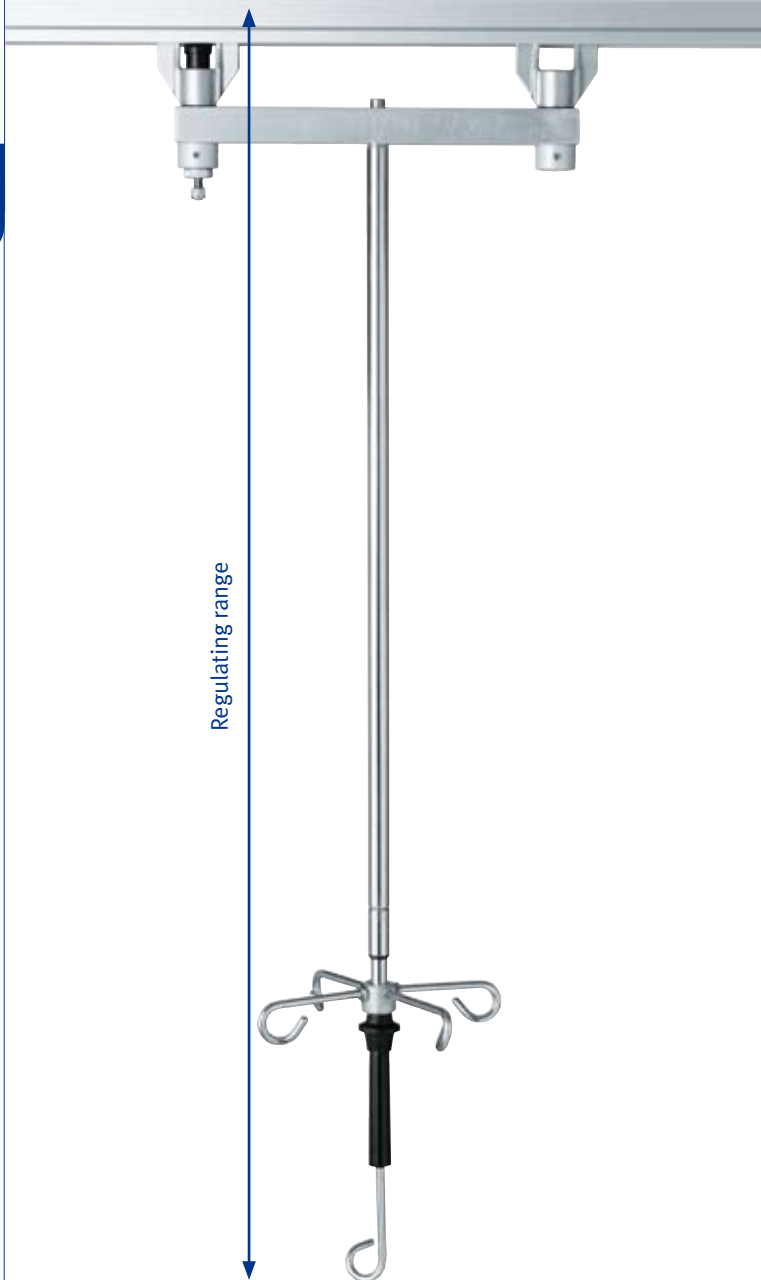
Bottle holder **5 safety bottle hooks**

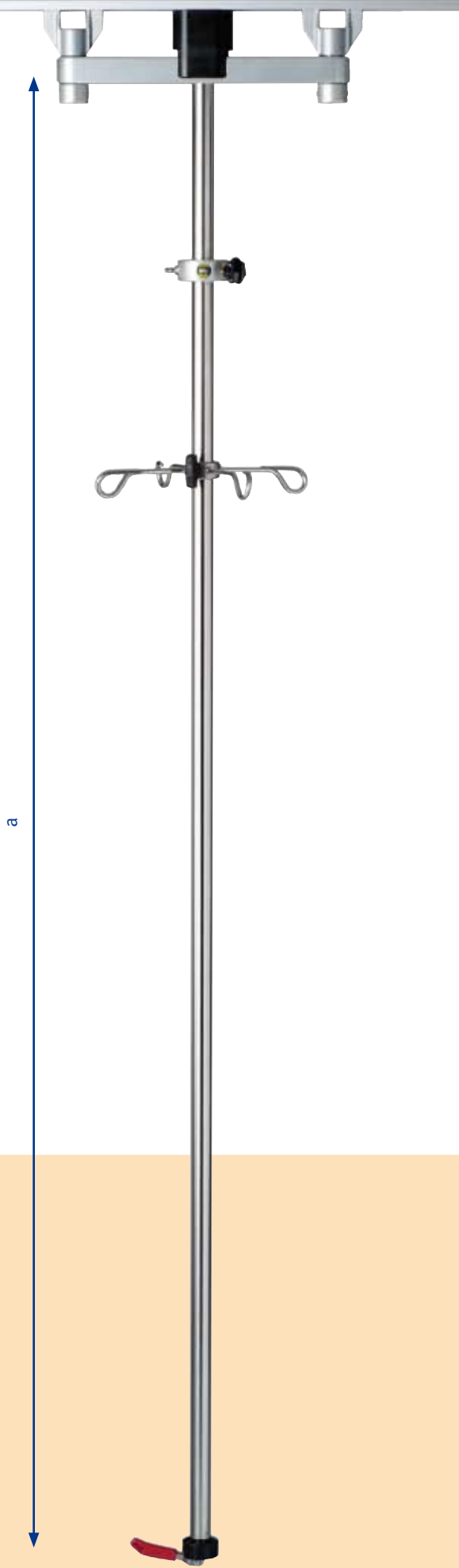
Load capacity **3 kg / hook, 15 kg / Pole, 40 kg / Carrier**

- mobile ICS 2 IV-Pole use on a tandem carrier with automatic lock mechanism
- integrated in carrier permanent sliding brake
- 8 nylon bearings

optimal hygienical surface through high polished gloss stainless steel material

stepless safety height adjustment through use of one hand adjustment





ICS 2

Series I 205

Ceiling IV-Pole with center brake

	Room height	Carrier tube length (a)
I 205 259 2	2.500 mm	1.550 mm
I 205 279 2	2.700 mm	1.750 mm
I 205 299 2	2.900 mm	1.950 mm
I 205 231 2	3.100 mm	2.150 mm

Material **stainless steel / aluminium**

Tube diameter **25 mm**

Bearing **8 low-noise nylon bearing**

Tandem carrier **safety positioning via an integrated mid brake**

Height adjustment **not height adjustable**

Bottle holder **4 hooks, height adjustable**

Load capacity **2 kg / hook , 40 kg / IV-Pole**

- incl. grounding ring
- distance to the floor 802 mm
- range of use 1.160 mm

range of use extended by use of an integrated brake system in the carrying pole

smooth running through tandem carrier

ICS 2

Series I 206

Ceiling IV-Pole with 2 carrier-tubes

	Room height	Carrier tube length (a)
I 206 259 2	2.500 mm	1.550 mm
I 206 279 2	2.700 mm	1.750 mm
I 206 299 2	2.900 mm	1.950 mm
I 206 231 2	3.100 mm	2.150 mm

Material **stainless steel / aluminium**

Tube diameter **25 mm**

Bearings **8 low-noise nylon bearing**

Tandem carrier **safety positioning via an integrated mid brake**

Height adjustment **not height adjustable**

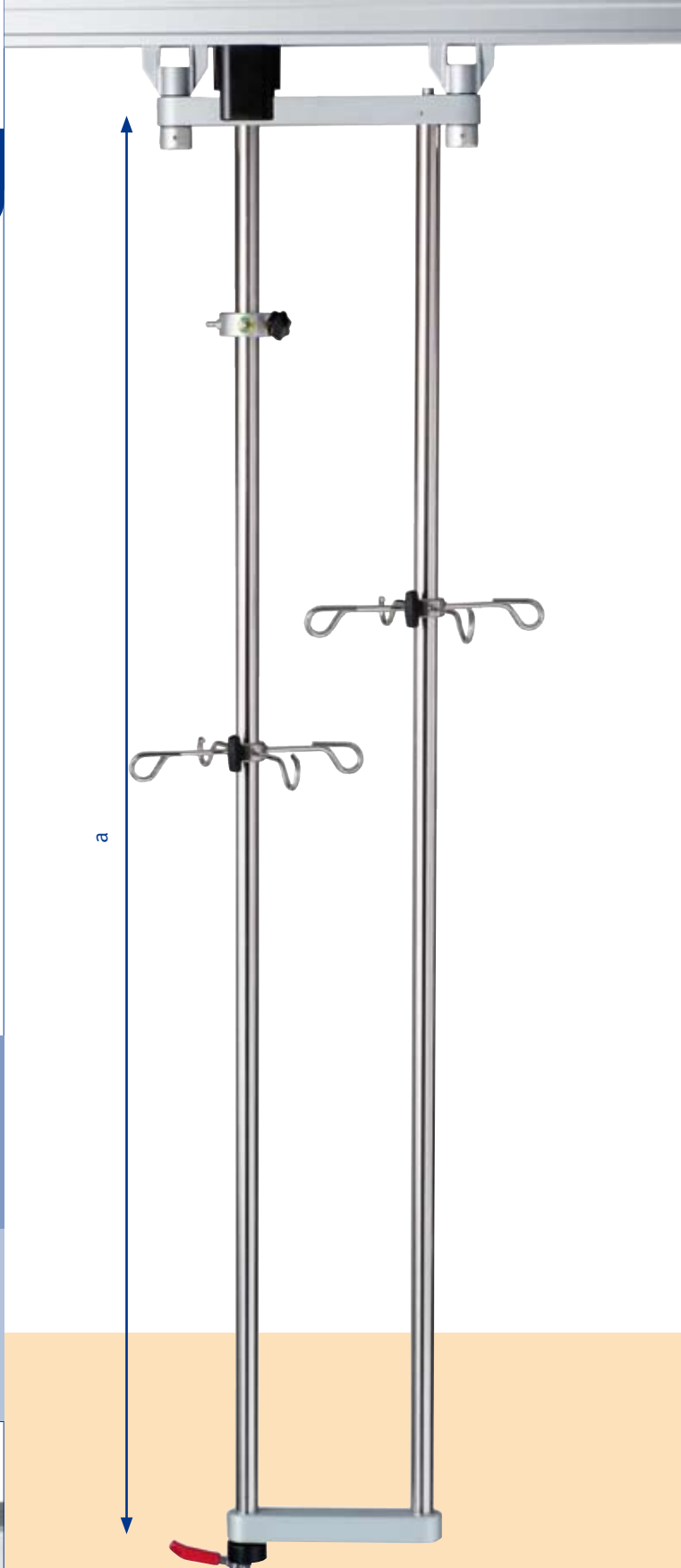
Bottle holder **2 pieces, 4 hooks, height adjustable**

Load capacity **2 kg / hook , 40 kg / IV-Pole**

- incl. grounding ring
- distance to the floor 802 mm
- range of use 1.130 mm

safe and stable positioning by use of an integrated brake system in one of the carrying poles

for a better view, please look at our product-in-use-picture on page 21



ICS 2

17

Series I 207

Ceiling IV-Pole with 2 carrier-tubes
incl. Venotonometer-rod

	Room height	Carrier tube length (a)
I 207 259 2	2.500 mm	1.350 mm
I 207 279 2	2.700 mm	1.550 mm
I 207 299 2	2.900 mm	1.750 mm
I 207 231 2	3.100 mm	1.950 mm

Material **stainless steel / aluminium**

Tube diameter **25 mm**

Bearings **8 low-noise nylon bearing**

Tandem carrier **safety positioning via an integrated mid brake**

Height adjustment **not height adjustable**

Bottle holder **2 pieces, 4 hooks, height adjustable**

Load capacity **2 kg / hook, 40 kg / IV-Pole**

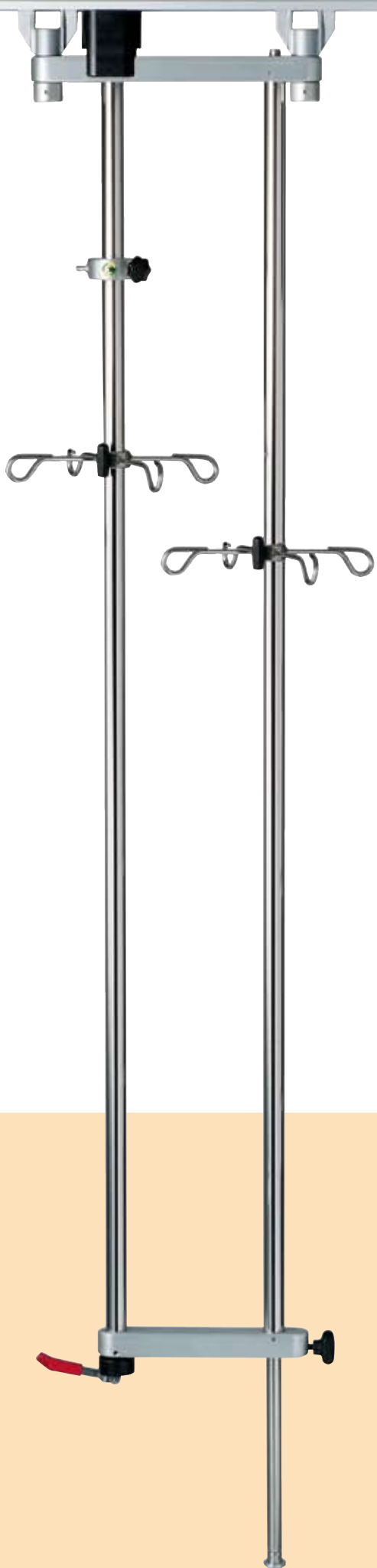
- distance to floor (respectively) 300 mm – 1.030 mm
- range of use (respectively) 930 mm

additional tube for further devices

Venotometer rod can be pulled out up to 30 cm, with shock-absorbing stop



a



ICS 2

Series I 010

Ceiling Carrier Unit

for monorail (1 ceiling rail) - not shown

I 010 000 2 with 1 shelf
usable surface 650 x 345 mm

I 010 002 2 with 2 shelves
usable surface 650 x 345 mm

I 010 001 2 with 1 shelf
usable surface 450 x 345 mm

I 010 003 2 with 2 shelves
usable surface 450 x 345 mm

for duo-rail - see picture
(2 parallel rails; parallel distance: 300 mm)

I 010 006 2 with 1 shelf
usable surface 650 x 345 mm

I 010 004 2 with 2 shelves
usable surface 650 x 345 mm

I 010 007 2 with 1 shelf
usable surface 450 x 345 mm

I 010 005 2 with 2 shelves
usable surface 450 x 345 mm

Material **stainless steel / aluminium**

Tube diameter **25 mm**

Bearing **8 low-noise nylon bearing (monorail) /
16 low-noise nylon bearing (duo-rail)**

Tandem carrier **with automatic lock mechanism and
permanent sliding brake**

Load capacity **max. 40 kg (monorail) /
max. 80 kg (duo-rail) / max. 60 kg (450 x 345 mm) /
max. 60 kg (650 x 345 mm) shelf load capacity**

· in the duo-rail version, the carrier runs in
2 parallel ceiling rails (distance in between =
300 mm), and therefore preventing a lateral swivel



suitable for special high-weight
medical devices

**Sliding hook**

Z 2N0 732 2 for Series I 100 1 / I 102 1

Material **stainless steel**

- to hang IV-Pole on the ceiling rail
- only for ICS 2 rails

**Infusion Pump Holder**

Z 2N0 631 2 for Series I 205 / I 206 / I 207

Material **stainless steel**

- for 2 pumps
- height adjustable with screw
- with location hole 25

**Infusion Pump Holder**

Z 2N0 634 2 for Series I 102 1 / I 102 2 / I 103

Material **stainless steel**

- for 1 pump
- to be screwed on lower part of the handle
- center of gravity remains under suspension through this holder, so that the IV-Pole remains vertical

**Bottle holder**

Z 2N0 632 2

Material **stainless steel**

Load capacity **2 kg / hooks**

- with 4 hooks
- height adjustable
- for 25 mm tube

ICS 2 Accessories



Outlet with 4-plugs (not medical approved) in accordance with VDE

Z 2K0 630 4 with connection cable 3 m
Z 2K0 631 4 with spiral cable - appr. 3 m

- high value aluminium housing
- VDE approved
- with 2 clamps for tube 25 mm
- children safety plugs



Outlet (medical approved) in accordance with DIN EN 60601

Z 2K0 624 4 4-plugs
Z 2K0 625 4 6-plugs

- high value aluminium housing
- with safety cover
- double-fused protection
- lockable
- with universal fixing clamp
- 3 m electrical cord



Cable carrier

Z 2K0 635 4

Carrier length **90 mm**

- to carry circuit lines and other cables as it runs through the rail



Rail bar

Z 2N0 721 2 length 400 mm
Z 2N0 720 2 length 600 mm

Material **stainless steel**

- two-sided
- 25 x 10 mm
- for ceiling carrier Series I 010
- with 2 clamps for 25 mm tube



Shelf

Z 2N0 633 2

Material **stainless steel**

Plate size **200 x 200 mm**

- with safety-edge protection
- location hole max. 25 mm



Grounding ring

Z 2N0 707 2

Material **aluminium, anodized**

- with 4 contact-pins PDAG 6/15
- for 25 mm tube
- height adjustable
- with locking screw
- for ceiling IV-Poles and ceiling carriers



Device shelf

Z 2N0 725 2 450 x 345 mm

Z 2N0 726 2 650 x 345 mm

- for ceiling carrier Series I 010
- with 2 clamps for 25 mm tube

ICS 3

Carrier system

Z 2N0 225 2 for room height 2,5 - 2,7 m

Z 2N0 227 2 for room height 2,7 - 2,9 m

Z 2N0 229 2 for room height 2,9 - 3,1 m

Material 2 stainless steel tubes 25 mm and 2 stainless steel rail bars 25 x 10 mm (standard track)

Bottle holder 2 bottle holders, each with 3 hooks

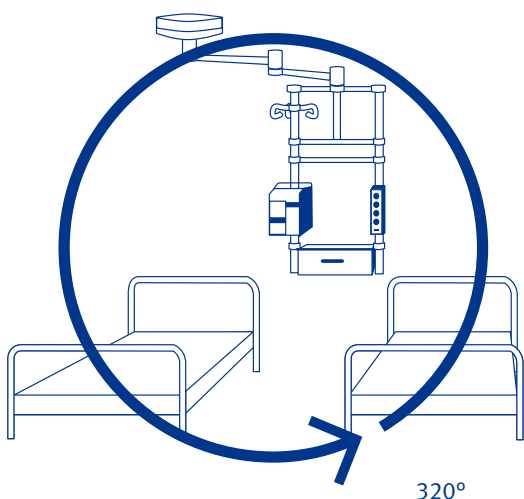
Load capacity 2 kg per hook, 40 kg system

Weight appr. 35 kg

Rotation angle 320°

Working range 1.800 mm

- distance between frame and floor appr. 1.000 – 1.200 mm



swivelling, ceiling-fixable carrier system for the attachment of infusion devices and accessories

through the 3 rod's rotating joints, the unit can be pulled out to a desired position or returned to its „Parkposition“

optimal use of space and maximum freedom of movement near the patient

product-in-use-picture see page 25



Carrier system

Basic model

- Grounding ring with 4 pins POAG S6/15
- Spacer discs to ensure equipment's complete verticality
- Insulating sleeves to separate electricity between carrier system and ceiling
- Outlet with 4-plugs (also optional lockable)
- Power cord (guided inside arm)
- Mounting material is not included. The type of mounting must be specified by the customer. The ceiling plate has a diameter of 300 mm and it is provided with 8 pre-drilled holes.



Shelf without drawer

Z 2N0 744 2

Material **stainless steel**

Plate size **540 x 360 mm**

Load capacity **40 kg**

- with 2 rail-bar clamps and wall supports
- with safety-edge protection



Shelf with 1 drawer

Z 2N0 743 2

Plate material **stainless steel**

Shelf material **steel, white coated**

Shelf size **420 x 310 mm**

Load capacity **40 kg**

- 100% draw out drawer
- Plate size 540 x 360 mm
- with 2 rail-bar clamps and wall supports



File-plate

Z 2N0 733 2

Material **stainless steel**

Plate size **300 x 250 mm**

Load capacity **8 kg**

- with 2 rail-bar clamps
- with safety-edge protection



Shelf with 2 drawers

Z 2N0 753 2

Plate material **stainless steel**

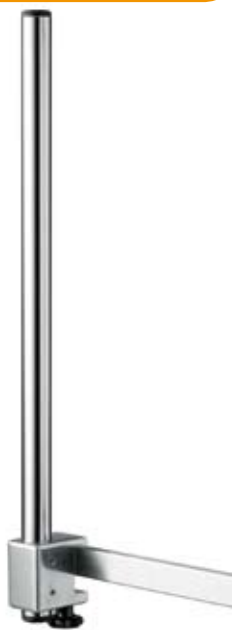
Shelf material **steel, white coated**

Shelf size **420 x 310 mm**

Load capacity **40 kg**

- 100% draw out drawer
- Plate size 540 x 360 mm
- with 2 rail-bar clamps and wall supports

ICS 3 Accessories



Pump holder

Z 2N0 716 2

Material **stainless steel**

Length **500 mm**

- with rail-bar clamp
- to mount on a 25 x 10 mm rail-bar



Bottle holder

Z 2N0 632 2

Material **stainless steel**

Load capacity **2 kg / hooks**

- with 4 hooks
- height adjustable
- for 25 mm tube



Grounding ring

Z 2N0 707 2

Material **aluminium, anodized**

- with 4 contact-pins PDAG 6/15
- for 25 mm tube
- height adjustable
- with locking screw



Examination lamp

L 100 020 A optional Dimmer (please indicate)

Colour **white**

Bulb type **Halogen**

Bulb details **12 V / 50 W, 10°**

Light intensity **appr. 40.000 Lux / 500 mm**

Colour temperature **appr. 3.000 Kelvin**

Switch **at the lamp head**

Working radius **appr. 800 mm**

Total weight **appr. 3,6 kg**

- for further lamps, please look at our lamp catalogue



Baldachin for ICS 3

Z 2K0 689 A

Colour white

Diameter 360 mm

Height 85 mm

· with mounting ring



Reference list

National

Marienhospital Düsseldorf	(40479 Düsseldorf)
Universitätsklinikum	(40225 Düsseldorf)
Klinikum Bayreuth	(95445 Bayreuth)
Heilig Geist Krankenhaus	(60311 Frankfurt a. M.)
Maingau Krankenhaus	(60318 Frankfurt a. M.)
Herzkllinik Dresden	(01307 Dresden)
Behring Krankenhaus	(14165 Berlin)
Oberlin Krankenhaus	(14482 Potsdam)
Parkkrankenhaus Leipzig	(04289 Leipzig)
Neubau Uni Herzzentrum	(50922 Köln)
Klinikum links der Weser GmbH	(28277 Bremen)
Klinikum der Phillips Universität	(35033 Marburg)
Augusta-Krankenanstalt	(44791 Bochum)
Paracelsus Klinik Osnabrück	(49076 Osnabrück)
Uni-Klinik Greifswald	(17475 Greifswald)
Helios-Klinik	(04442 Zwenkau)
Alfred Krupp Krankenhaus	(45131 Essen)
Klinikum Salzgitter GmbH	(38226 Salzgitter)
Klinikum der Stadt Wolfsburg	(38440 Wolfsburg)
Kreiskrankenhaus Sonneberg	(96515 Sonneberg)
Allgem. Krankenhaus St. Georg	(20099 Hamburg)
Westküstenklinik Heide	(25746 Heide)

International

France	
Hôpital St Joseph	Marseille
Hôpital Michallon,	CHU Grenoble
Netherlands	
Akad. Krankenhaus Utrecht	Utrecht
Great Britain	
Southampton General Hospital	Hampshire
Switzerland	
INO Bern	Bern
Turkey	
International Hospital	Istanbul
Norway	
Aust-Agder Sentralsykehus	Arendal
Sweden	
University Hospital	Malmö
India	
Sir Ganga Ram Hospital	Neu Dehli
Austria	
Privatklinik Döbling	Wien

for further references, visit our website www.provita.de

We gladly advise you

We hope that with this brochure you were able to find a good and detailed overview of our Ceiling Rail offers. For further information such as User's Manuals, CE-Declaration, etc. as well as Provita's latest news, please visit our website www.provita.de; where you will be able to find this information and more.

If you have any questions or you would like to receive the brochures of our further products, please feel free to contact us through our Service hotline: +49 (0) 21 93 / 51 05 - 0, we are at your disposal.

Or you can arrange a meeting for a personal conversation. We are pleased to discuss with you the development of customized products or further options of a great mutual commercial relationship.

© provita medical gmbh

Concept and Design margo.eu

Fotos **Giulio Coscia**

Text **Sylvia Heldt**

10/08 Subject to change



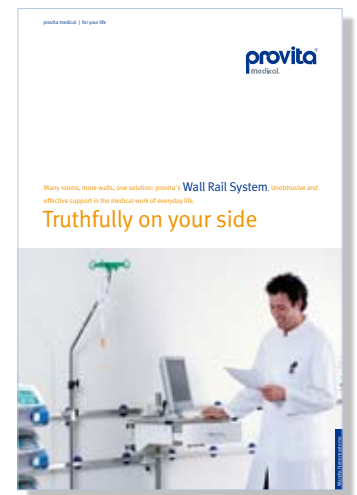
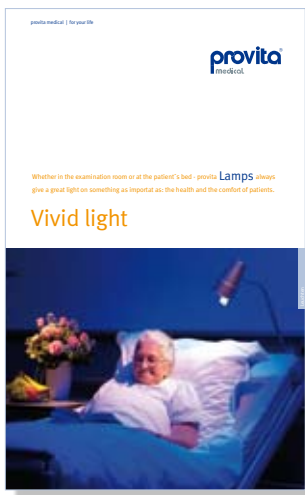
for your life

Lamps

IV-Poles

Ceiling Rail System

Wall Rail System



If required, we will gladly send you the brochures of our other products.



provita medical gmbh
Auf der Huhfuhr 8
42929 Wermelskirchen
Germany

Tel.: +49 (0) 21 93 / 51 05 - 0
Fax: +49 (0) 21 93 / 51 05 - 26 (Sales)

info@provita.de
www.provita.de

Provita USA LLC
113 - A 10th Street
24179 Vinton - VA
United States

Phone: +1 - 866 - PROVITA
Fax: +1 253 540 5858

u.pleuser@provita-medical.com
www.provita-medical.com



for further information, visit www.provita.de