

# Lamps

## CATALOGUE

---

Examination lamps / Reading lamps

**Whether in the  
examination room,  
intensive care or at the  
patient's bedside –**

**provita lamps  
illuminate always  
what is important:**

**The health  
and well-being  
of people.**

**The right choice for bright light  
and glare-free illumination.**



## The provita lamp series



efficient  
flexible  
glare-free

**We offer state-of-the-art solutions  
for a variety of applications**



### Series 1

Touchless  
examination lamp LED



### Series 2

Small LED examination/  
reading lamp



### Series 3

Reading lamp  
with LED



### Series 4

Small  
LED reading lamp



### Series 5

Large  
examination lamp  
with LED central reflector



### Series 6

Elegant  
LED reading lamp



### Series 8

Minimalistic  
LED reading lamp  
with cord switch



### Accessories

Ceiling covers  
Clamps  
etc.

Series 1-100

# The all-rounder examination lamp



The right choice for intensive light and glare-free illumination.

Simplified operation thanks to sensors:



MOVE hand to turn ON/OFF



KEEP hand still to DIM

Can also be dimmed at the power switch.

## LED SERIES 1-100 with user-friendly control

Light output > 25,000 Lux / 1,000 mm

Light colour approx. 4,000 K ±200

Electrical mains 100 – 240 V, 50 – 60 Hz



To view the instructional video, simply scan the QR-Code

impact resistant housing



LED technology  
Made in Germany



modern sensors



ideal hygiene features  
(wipe disinfection)

easy to operate



Made in Germany

Upon request: International plug / 110 V version  
Many mounting options and further accessories starting on page 40.

Series 1-400

# The all-feature examination lamp



The right choice  
for all requirements.

Simplified operation thanks to sensors:



MOVE hand to turn  
ON/OFF



KEEP hand still to DIM

## LED SERIES 1-400 with modern technology

Light output > 30,000 Lux / 1,000 mm

Light colour 4,000 – 5000 K ±200

Electrical mains 100 – 240 V, 50 – 60 Hz

To view the instructional video,  
simply scan the QR-Code



ideal  
hygiene features



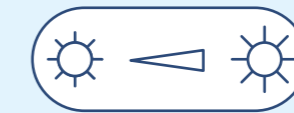
+ high luminous power  
30.000 Lux / 1.000 mm

integrated  
control panel



for all requirements and needs

Adjust brightness



dim

Select colour  
temperature



Set focus



+ dim touchless  
or at the switch



**GOOSENECK  
ARM LAMP**  
Flexible positioning

Working radius approx. 800 mm

Total weight approx. 2.5 kg

Fixture pin Ø 18, L 35 mm

**DOUBLE-JOINT  
ARM LAMP**  
Large projection

Working radius approx. 1,100 mm

Total weight approx. 2.9 kg

Fixture pin Ø 18, L 35 mm

With spring balance joint

LED Series 1-100 L100081A

LED Series 1-400 L1000814

Without spring balance joint

LED Series 1-100 L100011A

LED Series 1-400 L1000114

**JOINT  
ARM LAMP**  
Simple and safe

Working radius approx. 800 mm

Total weight approx. 2.6 kg

Fixture pin Ø 18, L 35 mm

With spring balance joint

LED Series 1-100 L100031A

LED Series 1-400 L1000314

Without spring balance joint

LED Series 1-100 L100024A

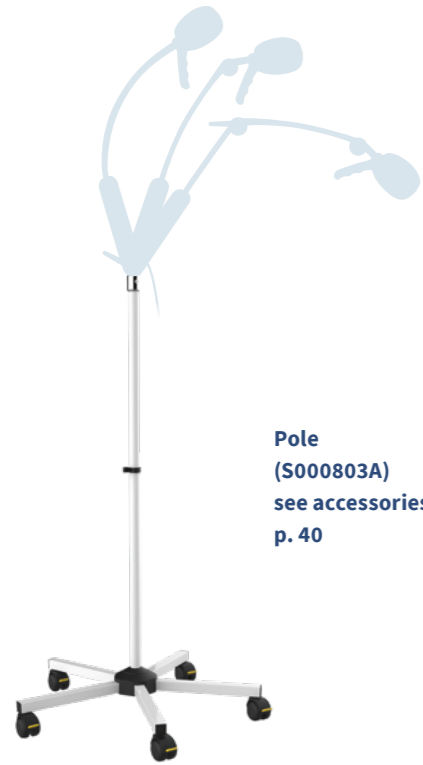
LED Series 1-400 L1000244



For technical data  
see provita.de



precisely  
adjustable



Pole  
(S000803A)  
see accessories  
p. 40

**MOBILE LAMP  
ON A FIXED-HEIGHT STAND**  
Steady and  
secure

Pole height with base approx. 1080 mm

Total weight approx. 7.8 kg

Fixture pin Ø 18, L 35 mm

**Gooseneck arm**

LED Series 1-100 L111111A

LED Series 1-400 L1111114

**Spring balance  
double-joint arm**

LED Series 1-100 L111181A

LED Series 1-400 L1111814

**Joint arm**

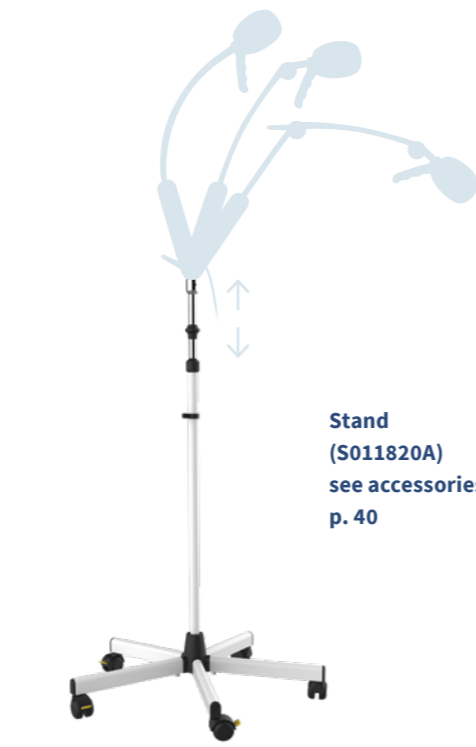
LED Series 1-100 L111124A

LED Series 1-400 L1111244

**Spring balance joint arm**

LED Series 1-100 L111131A

LED Series 1-400 L1111314



Stand  
(S011820A)  
see accessories  
p. 40

**MOBILE LAMP  
ON A HEIGHT-ADJUSTABLE STAND**  
Flexible and  
height-adjustable

Working radius approx. 800 mm

Total weight approx. 10.6 kg

Fixture pin Ø 18, L 35 mm

**Gooseneck arm**

LED Series 1-100 L121111A

LED Series 1-400 L1211114

**Double-joint arm**

LED Series 1-100 L121171A

LED Series 1-400 L1211714

**Joint arm**

LED Series 1-100 L121124A

LED Series 1-400 L1211244

**Spring balance  
double-joint arm**

LED Series 1-100 L121181A

LED Series 1-400 L1211814

**Spring balance joint arm**

LED Series 1-100 L121131A

LED Series 1-400 L1211314



**CHILDREN LAMP**  
Warm colours  
brighten the stay

Working radius approx. 800 mm

Total weight approx. 7.8 kg

Fixture pin Ø 18, L 35 mm



LED L111120K



For further children infusion stands,  
see INFUSION STAND catalogue and/or at provita.de



For technical data  
see provita.de

**Series 1**  
Wall and ceiling lamps



**WALL MOUNTED LAMP**  
Space saving

Pivoting radius of lamp approx. 1,100 mm

Total weight approx. 3.2 kg

Angle of rotation approx. 330°

LED Series 1-100 L140080A

LED Series 1-400 L1400804

**CEILING MOUNTED LAMP**  
Maximum ground clearance

Pivoting radius of lamp approx. 1,100 mm

Total weight approx. 6.7 kg / 7.2 kg / 7.7 kg

Angle of rotation approx. 370°

Length of ceiling stem 500 mm / 750 mm / 1,000 mm

**For 2.5 m room height**

LED Series 1-400 L1250804

LED Series 1-400 L1250804

**For 2.7 m room height**

LED Series 1-100 L127080A

LED Series 1-400 L1270804

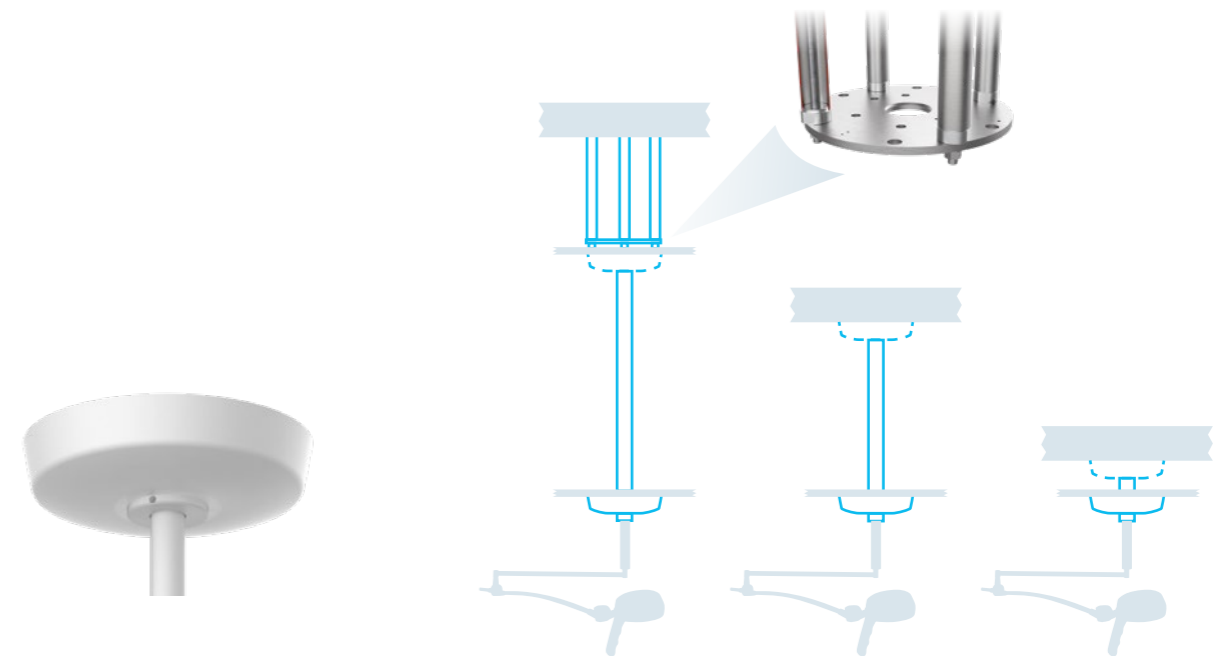
**For 3.0 m room height**

LED Series 1-100 L130080A

LED Series 1-400 L1300804

**Optional:**  
110 V version

**Series 1**  
Ceiling lamps



**COVER FOR CEILING LAMP**  
Cover for Series 1

Diameter 320 mm

Z2K0679A

**SUBSTRUCTURE FOR CEILING MOUNTING**  
Also for suspended ceilings

With our substructure you have the possibility to connect our lamps of the series 1 & 5 to almost every ceiling. The type of fastening must be determined by the customer.

Our product consultants and technicians will be glad to assist you in clarifying all technical details.

+49 2193 5105-0



Please order ceiling mounting plates & cover separately.



For technical data see provita.de

Series 2

# The decent examination & reading lamp



Compact solution  
for variable use.



**LED**  
Highly efficient &  
perfectly focused

Light output > 23,300 Lux / 500 mm

Light colour approx. 4,300 K

Light field diameter D10 220 / 425 mm  
at 500 / 1,000 mm

Electrical mains 90 – 264 V, 47 – 63 Hz



+ compact  
& robust

+ for rail, stand  
and pole

+ ideal  
hygiene features  
(wipe disinfection)



**Upon request:** Dimmer / international plug / 110 V version  
Many mounting options and further accessories starting on page 40.



**DOUBLE-JOINT ARM LAMP**  
Large projection

Projection of the lamp approx. 1,100 mm

Total weight approx. 2.45 kg

Fixture pin Ø 18, L 35 mm

With spring balance joint

LED L210215A

Without spring balance joint\*

LED L210216A



**GOOSENECK ARM LAMP**  
Flexible positioning

Projection of the lamp approx. 800 mm

Total weight approx. 2.2 kg

Fixture pin Ø 18, L 35 mm

LED L220216A



Pole  
(S000803A)  
see accessories  
p. 40

**MOBILE LAMP  
ON A FIXED-HEIGHT STAND**  
Versatile and stable

Projection of the lamp approx. 800 mm

Total weight approx. 7.5 kg

Fixture pin Ø 18, L 35 mm

Stand with gooseneck arm

LED L220226A

Stand with double-joint arm

LED L210226A

Stand with spring balance double-joint arm\*

LED L210225A



Stand  
(S011820A)  
see accessories  
p. 40

**MOBILE LAMP  
ON A HEIGHT-ADJUSTABLE STAND**  
Flexible and height adjustable

Projection of the lamp approx. 800 mm

Total weight approx. 7.5 kg

Fixture pin Ø 18, L 35 mm

Stand with gooseneck arm

LED L220236A

Stand with double-joint arm

LED L210236A

Stand with spring balance double-joint arm\*

LED L210235A



\*With the spring balance joint, the lamps are positioned even more comfortably.

Fixed and height adjustable stand as singular item on page 40.



For technical data see provita.de

Series 3

# The practical reading lamp



Design & functionality,  
perfectly connected.



**LED**  
Durable and low  
energy consumption

- Light source LED, 6 W
- Light output 700 Lux / 500 mm
- Light colour approx. 2,700 K
- Luminous flux 470 lm
- Electrical mains 220 – 240 V, 50 – 60 Hz



+ with night orientation light

+ bulb is easy to replace

+ ideal hygiene features (wipe disinfection)



**Upon request:** International plug / 110 V version  
Many mounting options and further accessories starting on page 40.



without external  
room illumination



### GOOSENECK ARM LAMP Flexible positioning

Projection of the lamp  
approx. 600 mm

Total weight approx. 1.25 kg

Fixture pin Ø 18, L 35 mm

#### LED

White L320114A

Silver L320114S

#### LED, with pull switch

White L320214A

Silver L320214S

Optional:  
International plug



For technical data  
see provita.de

Series 4

# The stylish reading lamp



Our best-seller  
for comfortable reading.



**LED**  
Long-live  
High-Powered LED

Light source LED, 12 V / 3 W, 36°

Light output 1,480 Lux / 500 mm

Light colour approx. 4,000 K

Luminous flux 230 lm

Electrical mains 100 – 240 V, 50 – 60 Hz

bulb is easy  
to replace +

ideal  
hygiene features  
(wipe disinfection) +

+ integrated  
switch



**Upon request:** International plug / 110 V version  
Many mounting options and further accessories starting on page 40.



### GOOSENECK ARM LAMP Flexible positioning

Projection of the lamp  
approx. 600 mm

Switch at lamp head

Total length approx. 830<sup>1</sup> / 1,380<sup>2</sup> mm

Fixture pin Ø 18, L 35 mm

#### LED short

White L400069A

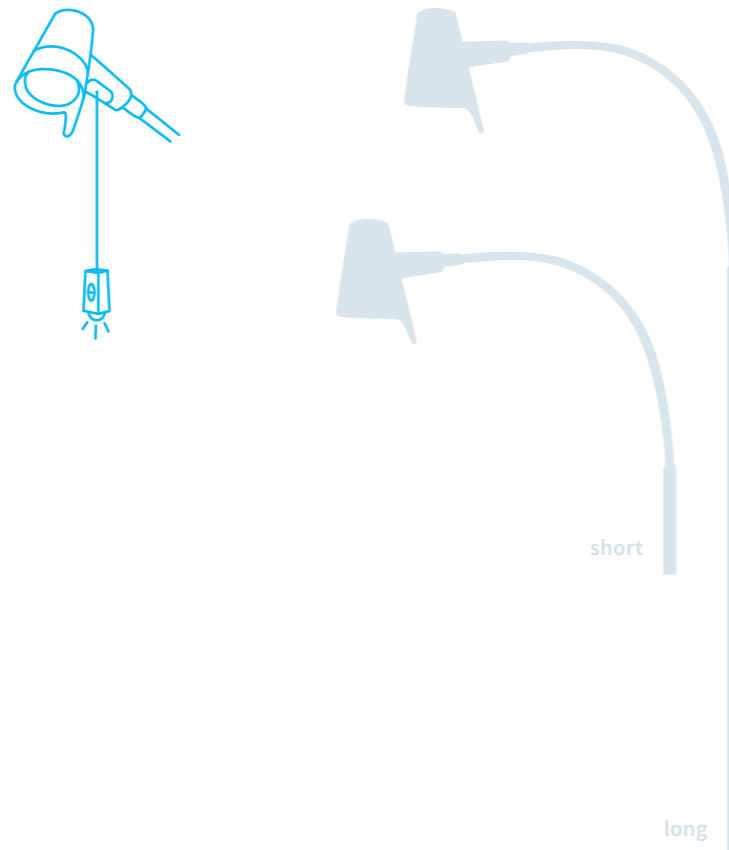
Silver L400069S

#### LED long

White L400079A

Silver L400079S

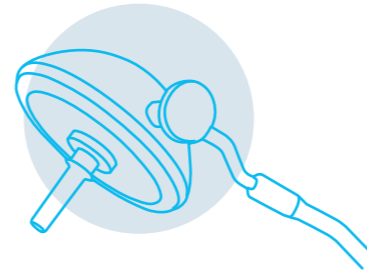
Optional:  
With cord switch



For technical data  
see [provita.de](http://provita.de)



Series 5



# Our largest examination lamp

Highest light quality,  
exactly where needed.



+ compact,  
maintenance-free,  
central lighting unit

+ shadow and  
glare-free in the  
working area

+ easily removable,  
sterilisable handle

+ flexible  
positioning  
& true to position



**LED**  
Temperature monitored  
LED control

Light output ~ 80,000 Lux / 1,000 mm\*

Light colour approx. 4,500 K

Luminous flux 840 lm

Colour rendering index RA 94

Dimming levels 50 % / 65 % / 85 % / 100 %

**Keypad with dimmer switch and control light**

Adjustable light intensity through a four-stage dimming function



**Version without dimmer**

Approx. 60,000 Lux / 720 lm





**MOBILE EXAMINATION LAMP**  
Flexible use at any time

Pivoting radius approx. 950 mm

Height adjustment approx. 1,000 mm

Total weight approx. 18.0 kg

With dimmer L511120A

With UPS L511125A

Without dimmer L511130A

Optional: With UPS  
(Uninterrupted power supply)



+ High-Light-quality, temperature-monitored "OSRAM LEDs" generate the primary light with very high colour rendering, long service life and consistent light quality.

+ Flexible positioning due to true position cardan suspension with integrated weight compensation.



**WALL MOUNTED EXAMINATION LAMP**  
True to position through cardanic

Pivoting radius approx. 1,750 mm

Height adjustment approx. 1,000 mm

Total weight approx. 19.0 kg

With dimmer L540066A

Without dimmer L540076A



**CEILING MOUNTED EXAMINATION LAMP**  
Comfortably controllable

Pivoting radius approx. 1,750 mm

Height adjustment approx. 1,000 mm

Total weight approx. 19.0 kg / 21.0 kg / 23.0 kg / 25.0 kg

For 2.5 m room height

With dimmer L525067A

Without dimmer L525077A

For 2.7 m room height

With dimmer L527067A

Without dimmer L527077A

For 3.0 m room height

With dimmer L530067A

Without dimmer L530077A

For 3.3 m room height

With dimmer L533067A

Without dimmer L533077A

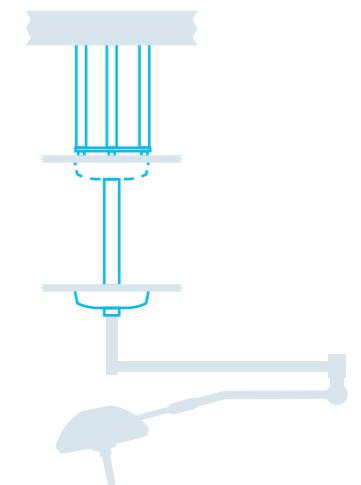


The type of the ceiling lamp fastening must be determined by the customer. To clarify all technical details we would like to ask you to provide us with a sectional sketch of the room in the event of a project.

Our product consultants and technicians will be glad to assist you.

S. Substructure on p. 13

+49 2193 5105-0



Optional:  
With ceiling mounting plate

Cover for ceiling lamp



Please order cover separately  
(Item no. Z2K0689A)



For technical data  
see provita.de

Series 6

# The outstanding reading lamp

Smart design  
with a strong reading light.



+ high quality LED bulb  
"high power"  
from OSRAM

+ highly flexible protective hose  
guarantees very good hygienic features

+ head made of stainless steel and high-quality plastic



**LED**  
Optimized thermal management  
and professional scattering optics

Light output 2,000 Lux / 500 mm

Light colour 5,000 K

Luminous flux 53 lm

Electrical mains AC 100 – 240 V, 50 – 60 Hz



reddot award  
honourable mention



**Upon request:** International plug / 110 V version / connection to bed control / operation through power control.  
Many mounting options and further accessories starting on page 40.



## GOOSENECK ARM LAMP

Subtle and flexible  
reading lamp

Lamp head angle of rotation 315°

Tab diameter 18 mm

### Gooseneck arm long > A

White L600035A

Silver L600035S

### Gooseneck arm short > B

White L600025A

Silver L600025S

### Gooseneck arm angled > C

White L620025A

Silver L620025S



For technical data  
see [provita.de](http://provita.de)



The lamp can be operated with  
any common available battery if  
the battery meets the following  
requirements:

- USB connection
- 5V direct current
- Min. 550 mA
- CE

### With USB network adapter



### Changeable power supply adapter unit

Europe 272786

Australia 274234

UK 274243

USA / Japan 274252

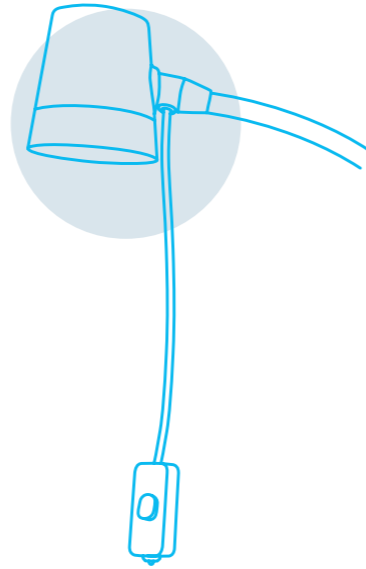
China 274261

Standard version: European plug (272786).  
If a different changeable adapter is  
required, please specify country or plug  
type.

Series 8

# Minimalistic but efficient

Elegantly crafted design for effortless  
integration across diverse realms of reading.



**LED**  
With cord switch

Light source LED, 12 V / 3,8 W

Light output 580 Lux / 500 mm

Light colour approx. 4,000 K

Luminous flux 459 lm

Electrical mains 100 – 240 V, 50 – 60 Hz



**Upon request:** International plug / 110 V version  
Many mounting options and further accessories starting on page 40.



**LED READING-LAMP**  
Short version  
with flex arm

**Types of arm** Gooseneck arm, short version

**Joint pin** Ø 18, L 35 mm

**Light source** 12 V / 3,8 W

**Light output** 580 Lux / 500 mm

**Luminous flux (lm)** 459 lm

**Light colour** 4,000 K

**Colour rendering index** > Type 90 Ra

**Life expectancy** 50,000 hours

**Electrical mains** 100 – 240 V, 50 – 60 Hz

**Power switch** At the cord switch

**Working radius** approx. 600 mm

**Orientating light** Integrated in switch

**Transformer** plug transformer

**Total length** approx. 830 mm

**Operating mode** continuous use

**Optional** With international plug, with wide range power supply (without orientation light) / with cord switch

**White** L800001A

**Silver** L800001S



**LED READING LAMP**  
Long version  
with flex arm

**Types of arm** Gooseneck arm, long version

**Joint pin** Ø 18, L 35 mm

**Light source** 12 V / 3,8 W

**Light output** 580 Lux / 500 mm

**Luminous flux (lm)** 459 lm

**Light colour** 4,000 K

**Colour rendering index** > Type 90 Ra

**Life expectancy** 50,000 hours

**Electrical mains** 100 – 240 V, 50 – 60 Hz

**Power switch** At the cord switch

**Working radius** approx. 600 mm

**Orientating light** Integrated in switch

**Transformer** plug transformer

**Total length** approx. 1.350 mm

**Operating mode** continuous use

**Optional** With international plug, with wide range power supply (without orientation light) / with cord switch

**White** L800002A

**Silver** L800002S



**LED READING LAMP**  
Long version  
with universal adapter

**Types of arm** With universal adapter

**For attachment to** Bed mount by means of universal adapter

**Joint pin** Ø 18, L 35 mm

**Light source** 12 V / 3,8 W

**Light output** 580 Lux / 500 mm

**Luminous flux (lm)** 459 lm

**Light colour** 4,000 K

**Colour rendering index** > Type 90 Ra

**Life expectancy** 50,000 hours

**Electrical mains** 100 – 240 V, 50 – 60 Hz

**Power switch** At the cord switch

**Working radius** approx. 600 mm

**Orientating light** Integrated in switch

**Transformer** plug transformer

**Total length** approx. 1,515 mm

**Operating mode** continuous use

**Optional** With international plug, with wide range power supply (without orientation light) / with cord switch

**White** L800012A

**Silver** L800012S



For attachment to bed mount by means of universal adapter

## Series 1 - 6

# The right accessories

Everything you need for installation.



### HEIGHT ADJUSTABLE STAND Flexible on a castor base

**Colour** white and chrome-plated steel

**Tube diameter** 25 / 18 mm

**Height adjustment** Single-handed system

**Regulating range** 1,080 mm – 1,745 mm

**Base diameter** approx. 635 mm

S011820A



### FIXED HEIGHT STAND Versatile and stable

**Colour** white

**Tube diameter** 25 mm

**Fixture entry** Ø 18 mm

**Base diameter** approx. 635 mm

S000803A



### TUBE MOUNTING BRACKET For fastening lamps to tubes, Ø 25 - 50 mm

**Material** Aluminium

**Bracket** Ø 18 mm

**Weight** approx. 0.13 kg

**White** Z2N0502A

**Silver** Z2N0502S



### OVAL-SHAPED WALL BRACKET

Low-noise rotation due to integrated plastic slide bush

**Material** Aluminium, white coated

**Bracket** Ø 18 mm

**Size** 55 × 156 mm

**Distance between wall and fixture pin entry** 120 mm

**With threaded pin** Z2N0619A



### TABLE CLAMP WITH QUICK HAND FASTENER

For quick and easy attachment of lamps on table tops

**Material** Aluminium

**Bracket** Ø 18 mm

**Clamping range** 15 – 32 mm

Z2N0646S



### COVER

Elegant cover for ceiling mounted lamps and possible ceiling gaps

**Colour** white

**Diameter** 320 mm

**Height** 70 mm

**Weight** approx. 0.5 kg

**For ceiling lamps series 1** Z2K0679A

**For ceiling lamps series 5** Z2K0689A



### RAIL CLAMP

To attach lamps to 25 × 10 mm to 30 × 10 mm rails

**Material** Aluminium, ball-polished

**Fixture entry** Ø 18 mm

**Weight** approx. 0.2 kg

**With threaded pin** Z2N0643W



### WALL MOUNTING BRACKET

For direct wall fastening of lamps, with 4 mounting holes

**Material** Aluminium, white coated

**Fixture entry** Ø 18 mm

**Weight** approx. 0.2 kg

**With threaded pin** Z2N0617A



### UNIVERSAL CLAMP

For attachment to round tube Ø 14 mm – 40 mm and standard rail 25mm x 10mm

**Material** Aluminium

**Fixture entry** Ø 18 mm

**Total load capacity** 15 kg

**With threaded pin** Z2N6639S



You have further questions?

We're glad  
to help you personally.

Just give us a quick ring:  
+49 2193 5105-0

Or e-mail us:  
[info@provita.de](mailto:info@provita.de)

For more than 50 years, our family  
business has been one of the leading  
manufacturers in medical technology.



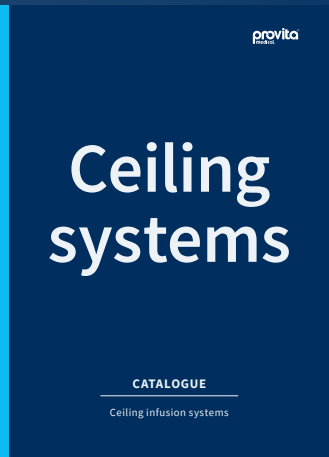
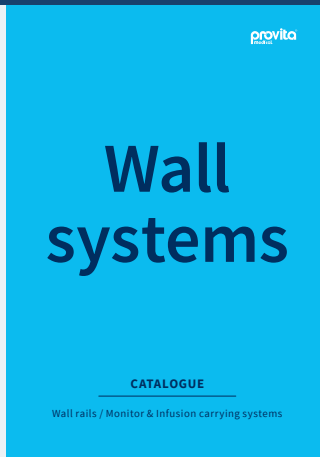
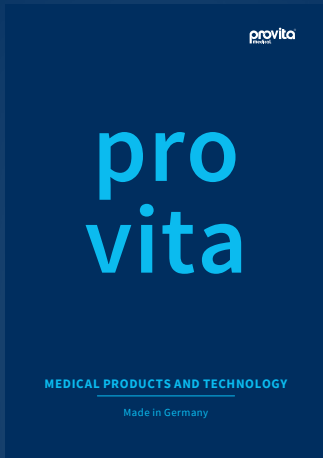
personal

experienced

motivated

Our general terms and conditions apply. Errors, misprints and changes reserved.  
© Copyright: provita medical gmbh & co. kg, October 2024  
Reproduction as well as duplication, also in extracts, are not permitted without permission of  
provita medical.

Photo: P. 11: © WavebreakmediaMicro - Fotolia



**Auf der Huhfuhr 8  
42929 Wermelskirchen  
Germany**

**Phone +49 2193 5105-0  
Fax +49 2193 5105-269**

**info@provita.de  
www.provita.de**

